

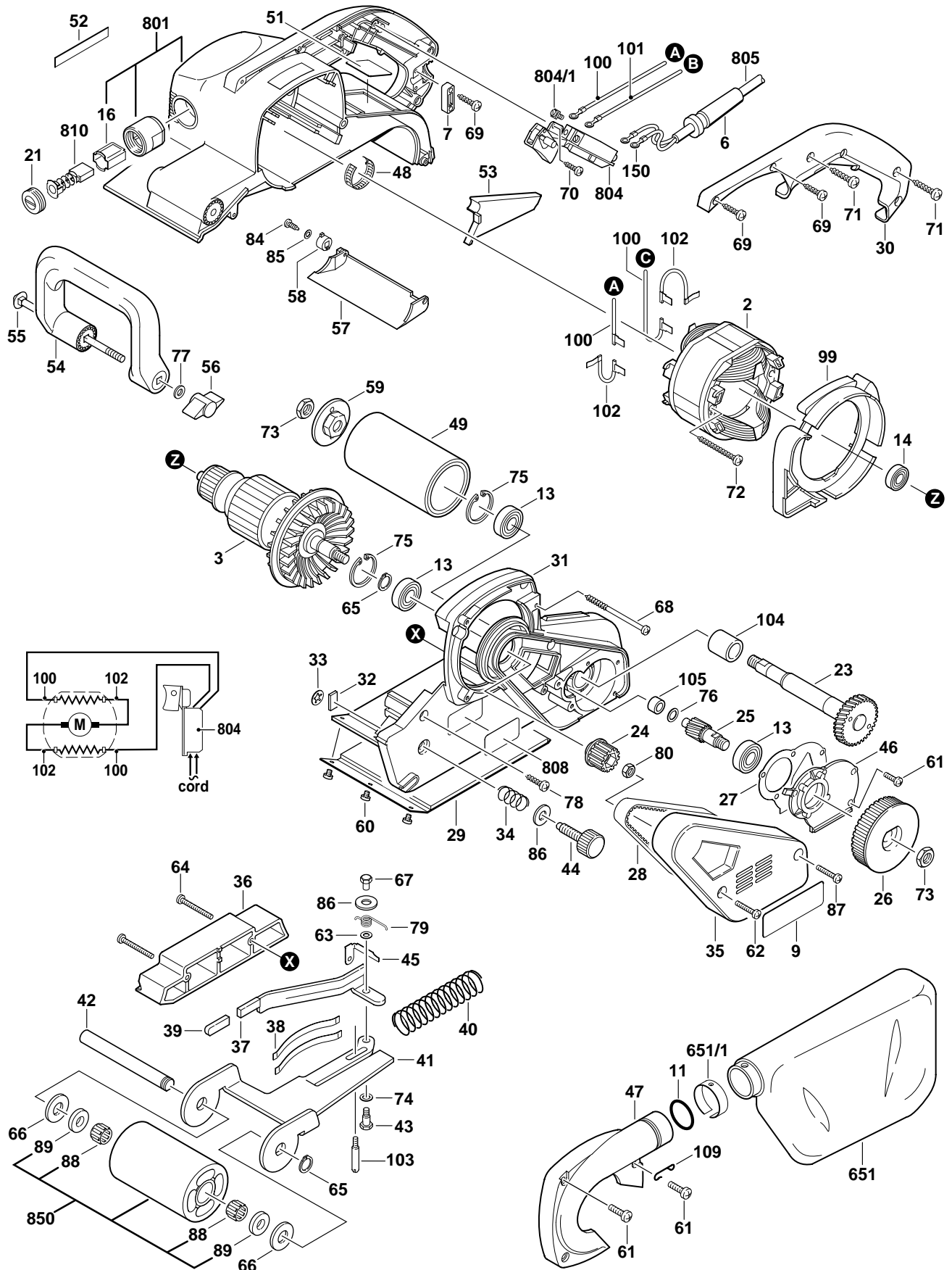
# BOSCH

May 1997  
INDUSTRIAL

## 4" x 24" BELT SANDER

### Model 0601276939

# 1276D



# 1276D 4" x 24" BELT SANDER

Pos.	Part Number	Description {Qty}	F/C	Pos.	Part Number	Description {Qty}	F/C
2	2 610 908 604	Field 120V	22	60	2 610 911 095	Screw {3}	89
3	2 610 908 606	Armature w/Fan 120V	AW	61	3 603 415 540	Screw {7}	89
6	3 600 707 506	Strain Relief	11	62	3 603 429 514	Screw	89
7	2 601 035 001	Cord Clamp	89	63	2 916 011 010	Washer	65
9	2 610 911 727	Label "1276D"	9	64	3 603 429 513	Screw {2}	89
11	2 610 992 403	O-Ring	78	65	2 916 650 003	Retaining Ring {2}	89
13	1 900 905 161	Ball Bearing {3}	61	66	2 610 908 658	Washer {2}	65
14	3 600 900 512	Ball Bearing	60	67	3 603 315 500	Locking Nut	80
16	3 600 422 503	Brush Holder {2}	25	68	2 610 991 306	Screw {3}	89
21	3 603 463 503	Brush Cap {2}	25	69	2 910 611 020	Screw {4}	89
23	2 610 908 618	Drive Shaft 4"	40	70	2 910 611 424	Screw {2}	89
24	2 610 908 622	Toothed Pulley	36	71	2 910 611 028	Screw {3}	89
25	2 610 908 621	Pinion Gear	33	72	2 610 908 660	Screw {2}	89
26	2 610 908 623	Toothed Pulley	36	73	2 610 990 040	Nut {2}	89
27	3 601 015 503	Gasket	79	74	3 600 150 505	Spring Washer	65
28	3 604 736 505	Drive Belt	50	75	2 610 908 661	Retaining Ring {2}	89
29	2 610 908 625	Platen Assembly	88	76	3 600 100 504	Washer	65
30	3 605 500 576	Handle Cover	74	77	2 916 011 014	Washer	65
31	2 610 908 627	Transmission Housing	72	78	2 910 611 013	Screw {2}	89
32	2 610 908 628	Wear Plate {2}	65	79	2 610 990 039	Spring	80
33	1 600 146 001	Lock Washer {2}	89	80	2 610 908 663	Nut	89
34	2 610 990 029	Tracking Adjust Spring	27	84	2 910 641 086	Screw	89
35	2 610 990 025	Drive Belt Cover	70	85	2 610 991 341	Thrust Washer	65
36	3 605 510 525	Belt Guard	9	86	2 610 992 475	Washer {2}	65
37	3 601 923 502	Belt Change Lever	64	87	2 914 411 051	Screw	89
38	2 610 908 629	Tracking Spring {2}	27	88	3 600 910 504	Needle Bearing {2}	65
39	2 610 908 630	Lever Cap	9	89	1 600 290 016	Oil Seal {2}	77
40	3 604 619 500	Tension Spring	27	99	2 610 908 665	Air Deflector	24
41	2 610 908 632	Pulley Support Fork	62	100	2 610 908 666	Cable 250mm {2}	10
42	2 610 908 634	Pulley Shaft	54	102	2 610 908 668	Cable 250mm {2}	10
43	3 603 453 500	Screw	80	103	3 603 405 509	Pin	66
44	2 610 908 637	Tracking Knob	63	104	3 600 301 501	Bushing	82
45	2 610 908 638	Wear Plate	92	105	3 600 301 502	Bushing	82
46	3 605 510 505	Bearing Plate	38	109	3 604 680 500	Static Clip	9
47	3 605 500 579	Exhaust Cover	70	150	3 601 353 500	Terminal Ring {4}	11
48	2 610 911 048	Tolerance Ring 22mm	82	651	2 610 906 292	Bag Assy. w/pos. 651/1	9
49	2 610 908 642	Drive Pulley	50	651/1	3 601 253 503	Bag Clip	9
51	2 610 967 533	Label "Warning"	9	801	2 610 991 330	Motor Housing Assy. w/pos. 16	71
52	2 610 911 699	Label "Bosch"	9	804	3 607 000 677	Switch On/Off	15
53	2 610 908 651	Switch Cover	70	804/1	3 603 433 506	Screw {4}	89
54	2 610 908 652	Auxiliary Handle	74	805	3 604 460 514	Cord 120V 16/2	11
55	2 610 908 653	Carriage Bolt	89	808	3 601 119 595	Nameplate	9
56	1 603 339 006	Wing Knob	63	810	2 610 908 677	Brush Set 120V	26
57	2 610 908 655	Adjustable Cover	70	850	2 610 908 644	Driven Pulley Assembly w/pos. 88, 89	48
58	2 610 908 656	Position Knob	63				
59	2 610 908 657	Pulley Cover	70				

## Service Notes: